



Miniature Molding High Current SMD Power Inductors



PART NUMBERING SYSTEM

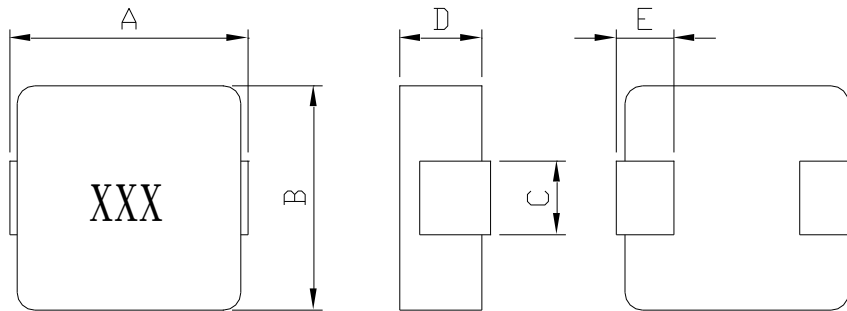
SEP	0402EB	—	R10M	—	LF
TYPE	DIMENSIONS		INDUCTANCE		LEAD FREE

FEATURES :

- Low profile (2.0mm max. height) and 4.5 mm square.
- Magnetically shielded and low DC resistance and Suitable for large current.
- Ultra low buzz noise, due to composite construction.
- Frequency range up to 5MHZ.
- Large current handling capability.

SHAPES AND DIMENSIONS :

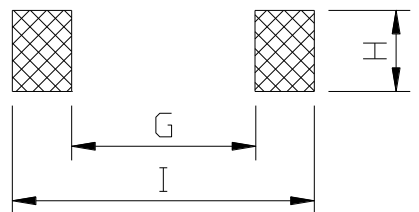
UNIT : mm



A=5.0 Max. B=4.5 Max. C=2.0 Ref. D=2.0 Max. E=0.8 Ref.

RECOMMENDED PATTERNS

UNIT : mm



H=2.5 G= 2.2 I = 5.2

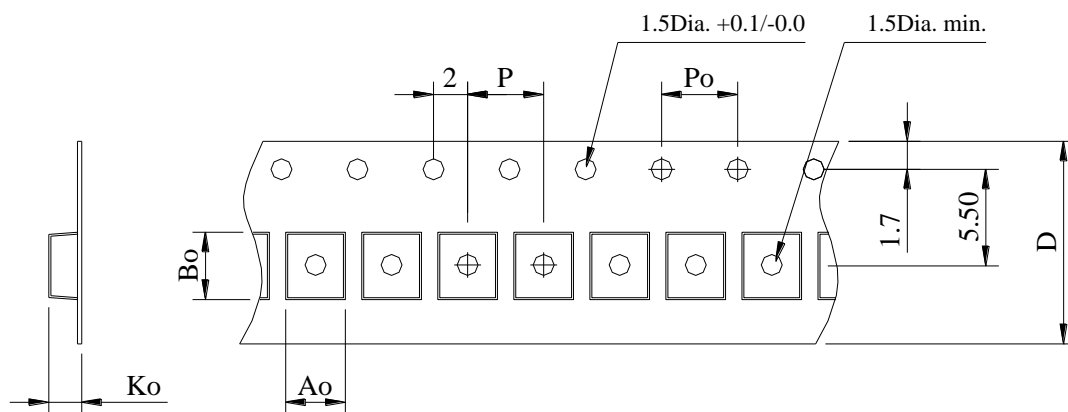
Miniature Molding High Current SMD Power Inductors

SPECIFICATION TABLE

PART NUMBER	INDUCTANCE (μH)	I _{sat} (A) (Typ.)	I _{rms} (A) (Typ.)	DCR (mΩ) (Max.)	TEST FREQ. (f)
SEP0402EB-R10M-LF	0.10±20%	35.0	11.0	5.0	100KHz
SEP0402EB-R22M-LF	0.22±20%	24.0	13.0	8.0	100KHz
SEP0402EB-R33M-LF	0.33±20%	18.0	10.0	8.6	100KHz
SEP0402EB-R47M-LF	0.47±20%	12.0	8.0	14.0	100KHz
SEP0402EB-R68M-LF	0.68±20%	10.0	7.0	19.0	100KHz
SEP0402EB-1R0M-LF	1.0±20%	8.5	5.0	27.0	100KHz
SEP0402EB-1R5M-LF	1.5±20%	7.0	4.5	42.0	100KHz
SEP0402EB-2R2M-LF	2.2±20%	6.0	4.0	61.0	100KHz
SEP0402EB-3R3M-LF	3.3±20%	4.0	3.5	76.0	100KHz
SEP0402EB-4R7M-LF	4.7±20%	3.5	2.6	105.0	100KHz
SEP0402EB-6R8M-LF	6.8±20%	2.8	2.1	172.0	100KHz
SEP0402EB-100M-LF	10.0±20%	2.3	1.8	243.3	100KHz

- I_{sat} : DC current at which the inductance drops 30% (typ) from its value without current.
- I_{rms} : Average current for a 40°C temperature rise above 25°C ambient.
- Operating temperature range -55°C to +125°C , Electrical specifications at 25°C.
- Handle high current without saturation (Carbonyl powder)
- Ultra low buzz noise due to molded structure

PACKAGING SPECIFICATION



STAYLE	Q' TY (PCS)	DIMENSIONS (m/m) (Typ)					
		Ao	Bo	Ko	P	Po	D±0.3
13"	3,000	4.5	5.5	2.3	8.0	4.0	12